



## Main Features:-

- ◆ Butterfly valve wafer type
- ◆ DN50 to DN600 PN10 (PN16 up to 12")
- ◆ Disc made of Ductile Iron EN-GJS-400
- ◆ Working Temperature -20 to +120C \*
- ◆ EPDM body seat

\*Temperature and pressure determined by valve body, seat etc.



## SERIES: 80106

MANUFACTURER: **GENEBRE**

### Suitable Applications & Approvals:



HVAC



OIL

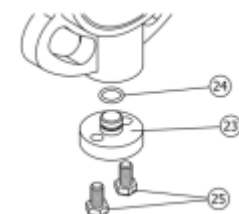
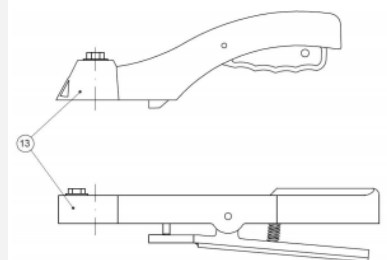
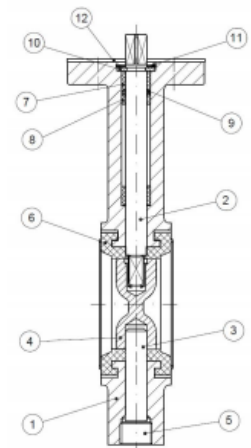


GAS



INDUSTRY

ITEM	SECTION	MATERIAL	ADDITIONAL INFO / OPTIONS
1	Body	Cast Iron GJL-200	Epoxy Coated
2	Stem	AISI 416	n/a
3	Pivot	AISI 416 (≤ 12")	n/a
4	Disc	Ductile Iron GJS-400	Nickel Plated
5	Plug	Carbon Steel (≤ 12")	Zinc Plated
6	Seat	EPDM	Spare Part Number E2109
7	Bush	PTFE+Graphite	n/a
8	Bush	PTFE+Graphite	n/a
9	O'Ring	NBR	n/a
10	Washer	Bronze	n/a
11	Stop Ring	Carbon Steel	Zinc Plated
12	Plate	Carbon Steel	Zinc Plated
13	Handle	Aluminium or GJL-200	Epoxy Plated



Only ≥ 14"

VALVE MATERIALS

### Genebre

Genebre is a leading company and world reference in fluid control and high-quality taps. They control all the creation processes, responding to the specific needs of each market: from the initial concept and design of the product to the production and commercialization.

In the Industrial line of Genebre products you will find a wide range of industrial valves and their accessories, sanitary line valves, automated valves and control valves, stainless steel fittings, different elements for industrial instrumentation and all spare parts for valves sphere.



T +44 (0)1386 552369

E sales@allvalves.co.uk

W www.allvalves.co.uk

F +44 (0)1386 554227

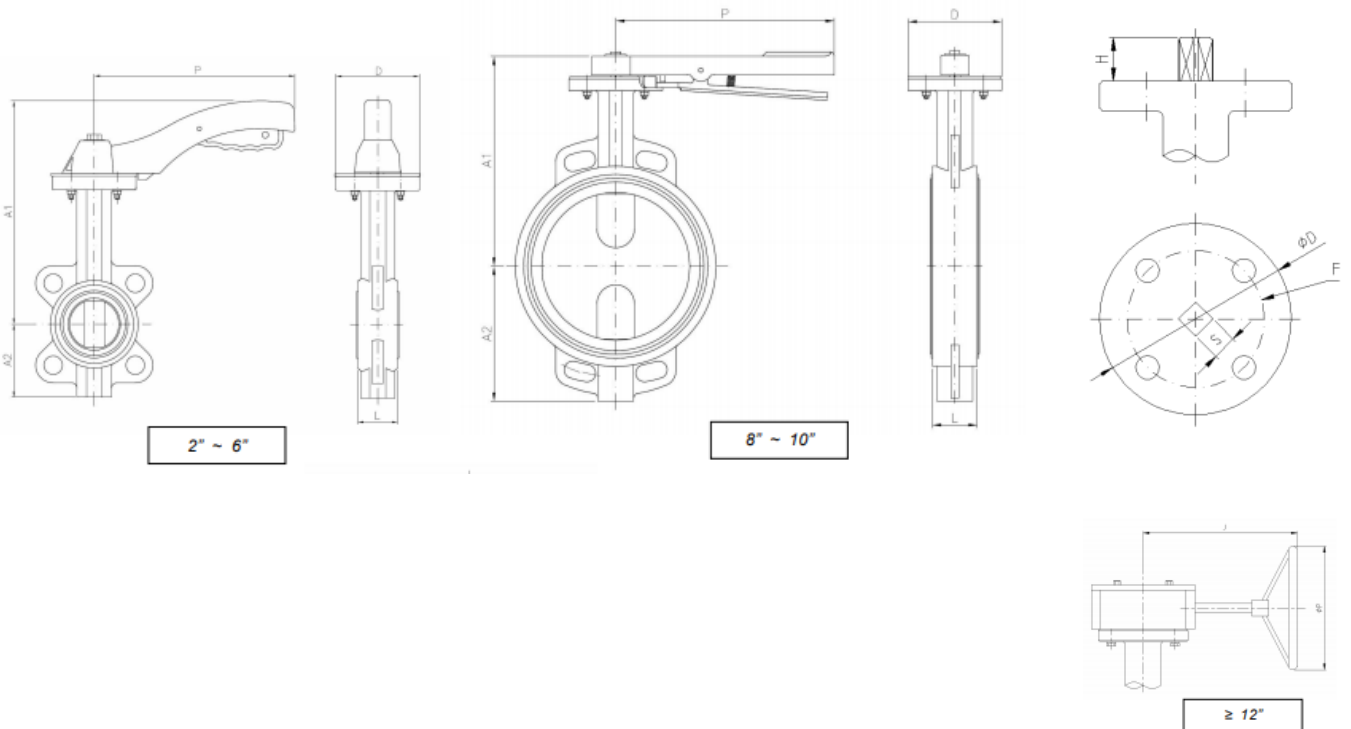


Genebre are a global brand of industrial valves with large stocks held for fast delivery on various type of valves, sizes, end connections and materials.

**SERIES: 80106**

DIMENSIONS

REF	SIZE	DN	PN	L	A1	A2	J	P	Kg	F	S	D	H	Nm
80106-09	2"	50	16	43	238	70	-	170	2.8	F05	11	65	16	12
80106-10	2 1/2"	65	16	46	238	80	-	170	3.3	F05	11	65	16	20
80106-11	3"	80	16	46	238	100	-	170	3.8	F05	11	65	16	27
80106-12	4"	100	16	52	270	115	-	215	5.8	F07	14	90	16	39
80106-13	5"	125	16	56	300	135	-	215	7.4	F07	14	90	16	58
80106-14	6"	150	16	56	300	150	-	215	8.35	F07	14	90	16	90
80106-16	8"	200	16	60	280	180	-	300	14.4	F07/F10	17	125	30	120
80106-18	10"	250	16	68	330	215	-	300	21.8	F10	22	125	40	180
80106-20	12"	300	16	78	360	250	240	290	38.8	F10/F12	22	150	40	340
80106-22	14"	350	10	78	390	260	257	290	56.1	F12	22	150	45	640
80106-24	16"	400	10	102	420	300	257	290	77.6	F14	27	175	45	805
80106-26	18"	450	10	114	445	330	306	400	115.5	F14	27	175	45	1100
80106-28	20"	500	10	127	480	370	306	400	144.5	F14	36	175	45	1500





Genebre are a global brand of industrial valves with large stocks held for fast delivery on various type of valves, sizes, end connections and materials.

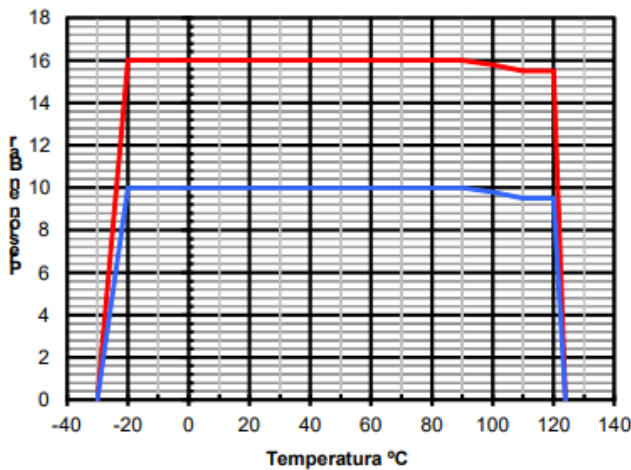
## SERIES: 80106

DISC POSITION

DN	90°	80°	70°	60°	50°	40°	30°	20°	10°	Kv Values
80106-09	125	99	73	53	37	23	14	6	0.9	
80106-10	244	193	141	93	58	39	21	10	1.3	
80106-11	399	315	231	133	83	53	30	13	1.7	
80106-12	727	606	429	237	148	94	54	23	2.6	
80106-13	1190	991	670	370	232	147	85	37	4	
80106-14	1600	1334	887	490	306	195	112	48	5	
80106-16	2868	2458	1611	935	588	364	208	88	10	
80106-18	4697	3914	2550	1479	931	577	330	140	16	
80106-20	6987	5822	3800	2217	1379	869	480	203	23	
80106-22	9115	7676	5137	2927	1859	1142	654	259	29	
80106-24	12081	10173	6805	3878	2463	1513	866	343	39	
80106-26	14890	12539	8706	4962	3151	1935	1108	439	50	
80106-28	19323	16272	10843	6180	3924	2410	1380	547	62	

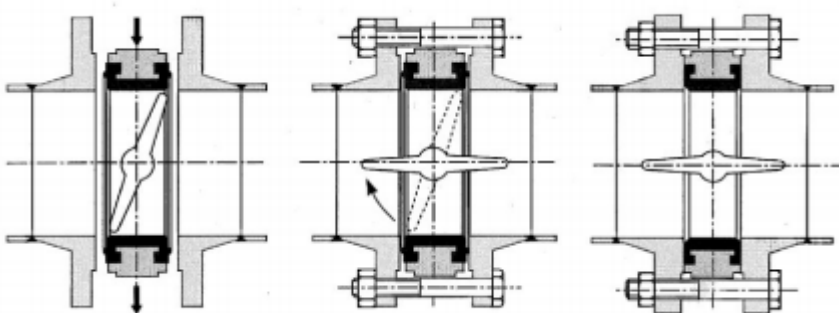
Flow rate of water in cubic meter per hour (m<sup>3</sup>/h) that will generate a pressure drop of 1 bar across the valve.

### PRESSURE TEMPERATURE RATING



### ALL VALVES

AllValves Online™ have used decades of experience in the valve industry to select a range of products that match the Allvalves Online ethos - value for money. All Valves Products are from reputable sources and have been sold in significant quantities for many years, are installed in a wide variety of applications, and are known to be durable in service.



T +44 (0)1386 552369

W [www.allvalves.co.uk](http://www.allvalves.co.uk)

E [sales@allvalves.co.uk](mailto:sales@allvalves.co.uk)

F +44 (0)1386 554227